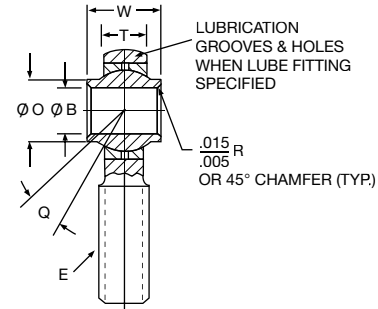
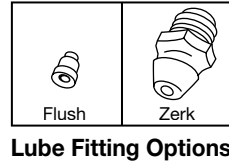
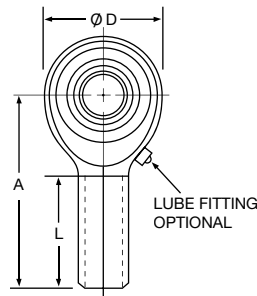


ROD END BEARINGS – Metal-to-Metal

3-Piece High Misalignment – Male Thread



Part Number	(B) Bore Diameter	(D) Head Diameter	(W) Ball Width	(T) Body Width	(O) Shoulder Diameter	Ball Diameter	(A) Ball C/L to End	(E) Thread Size	(L) Thread Length	(Q) Misalignment	Limit Static Radial Load**	Weight
	Inch +.0000 -.0005	Inch Max.	Inch +.000 -.005	Inch +.005 -.005	Inch Ref. -.005	Inch Ref.	Inch +.06 -.06	UNF - 3A*	Inch +.06 -.06	Ref.	lbs.	lbs. Ref.
ARY3	.1900	.781	.560	.337	.301	.531	1.562	5/16 - 24	1.000	16°	4060 ◇	.07
ARY3-101	.1900	.750	.500	.220	.319	.437	1.500	5/16 - 24	1.000	15°	4060 ◇	.07
ARY4	.2500	1.000	.593	.265	.390	.593	1.938	3/8 - 24	1.250	23°	7040 ◇	.11
ARY5	.3125	1.125	.813	.355	.512	.781	2.125	7/16 - 20	1.375	23°	8260	.16
ARY5-101	.3125	.875	.625	.265	.418	.593	1.875	5/16 - 24	1.062	16°	5290	.09
ARY 6	.3750	1.125	.813	.355	.512	.781	2.125	7/16 - 20	1.375	23°	8260	.15
ARY7	.4375	1.312	.875	.355	.618	.875	2.437	1/2 - 20	1.500	22°	12420	.25
ARY8	.5000	1.500	.937	.411	.730	1.000	2.625	5/8 - 18	1.625	20°	17430	.39
ARY10	.6250	1.750	1.200	.577	.856	1.250	2.875	3/4 - 16	1.750	20°	23620	.62
ARY12	.7500	2.000	1.280	.630	.970	1.375	3.375	7/8 - 14	1.875	18°	30550	.90
ARY14	.8750	2.200	1.400	.635	1.140	1.531	3.750	7/8 - 14	2.000	18.5°	31970	1.08
ARY16	1.0000	2.750	1.875	.845	1.278	1.875	4.125	1 1/4 - 12	2.125	21°	59510	2.20
ARY20	1.2500	3.125	1.875	1.015	1.523	2.250	5.000	1 1/4 - 12	2.875	21°	70060	3.10

* UNF-3A = Male Thread, per MIL-S-7742 Rev. D.

** Load ratings are for rod ends without lubrication fittings.

◇ Based on pin limitation.

Notes:

- Radial Clearance: .002 max.
- † Plating: When specified in materials block, ball spherical diameter and ends are hard chrome plated per AMS-QQ-C-320, CL. 2 (.0002 to .0005 thickness). All external surfaces of race and/or body are cadmium plated per AMS-QQ-P-416.
- Dimensions: All dimensions apply after plating.
- Options: Radial clearance, lubrication holes and groove in ball, lubrication fittings, dry film lubrication, keyways, left hand or AS8879 threads see page 43.

Materials

Part No.	Ball	Race	Body
Catalog No. †	52100 Alloy Steel, H.T., Chrome Plated Rc59-63	Aluminum Bronze, (AMS 4635 and ASTM B 50/B150M) Cadmium Plated	4130 Alloy Steel, H.T., Cadmium Plated
Catalog No. + S†	"	4130 Alloy Steel, H.T., Cadmium Plated	"
Catalog No. + SS†	"	CRES 17-4PH AMS5643	CRES 17-4PH AMS5643
Catalog No. + CR†	CRES 440C AMS5630	"	"
Catalog No. + CRP†	CRES 440C, AMS5630 Chrome Plated.	"	"