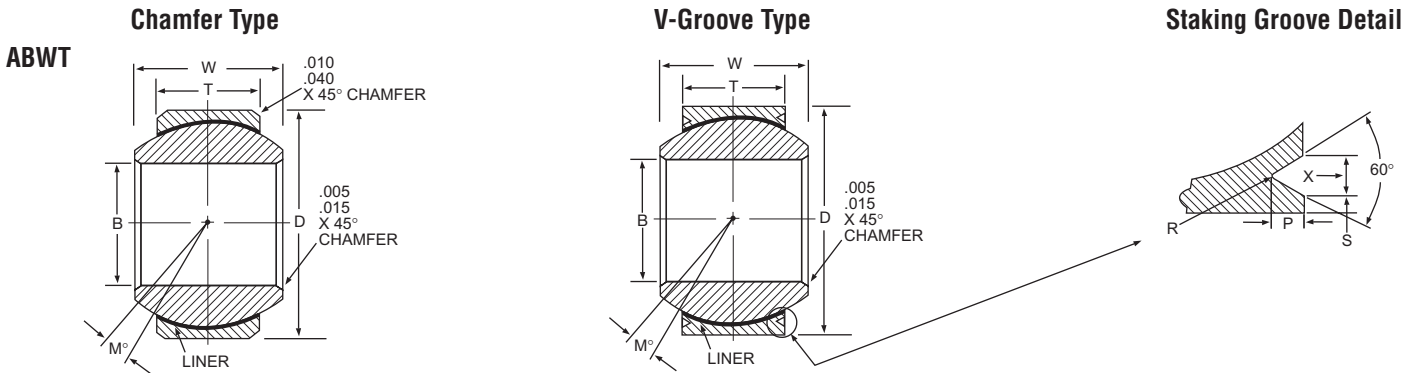


# SPHERICAL BEARINGS

## ABWT, ABWT-V

TEFLON® Lined, Wide



BASIC P/N	(B)	(D)	(W)	(T)	(M°)	ULT. STATIC RADIAL LOAD LBS.	ULT. STATIC AXIAL LOAD LBS.	NO LOAD ROTATIONAL BREAKAWAY TORQUE IN./LB.	APPROX. WEIGHT LBS.
	BORE DIA. +.0000 -.0005	OUTSIDE DIA. +.0000 -.0005	BALL WIDTH +.000 -.002	RACE WIDTH +/- .005	MIS-ALIGN. MIN.				
ABWT3 ABWT3V	.1900	.6250	.437	.327	15	6,120♦	2,655	.25-8	.031
ABWT4 ABWT4V	.2500	.6250	.437	.327	15	10,600♦	2,655	.25-8	.031
ABWT5 ABWT5V	.3125	.6875	.437	.317	14	14,100	2,460	.25-8	.035
ABWT6 ABWT6V	.3750	.8125	.500	.406	8	20,550	3,945	.25-8	.060
ABWT7 ABWT7V	.4375	.9375	.562	.442	10	31,050	5,475	.25-8	.080
ABWT8 ABWT8V	.5000	1.0000	.625	.505	9	41,250	7,455	.25-8	.100
ABWT9 ABWT9V	.5625	1.1250	.687	.536	10	51,600	8,055	.25-8	.135
ABWT10 ABWT10V	.6250	1.1875	.750	.567	12	58,500	9,195	.25-8	.160
ABWT12 ABWT12V	.7500	1.3750	.875	.630	13	78,450	11,595	.25-8	.240
ABWT14 ABWT14V	.8750	1.6250	.875	.755	6	100,950	16,200	.25-12	.350
ABWT16 ABWT16V	1.0000	2.1250	1.375	1.005	12	189,800	28,950	.25-12	.970

♦ Based on pin limitation using 108 KSI shear strength pin.

### Materials

DESIGNATION	BALL	LINER	RACE
ABWT ABWT-V	440C CRES heat treated	TEFLON® fabric permanently bonded to race I.D.	17-4PH CRES heat treated

### Staking Groove Data

BORE SIZES	LAND (S) +.000/- .010	GROOVE (X) +.000/- .010	RAD. (R) +.000/- .010	DEPTH (P) +.000/- .015
3 thru 5	.020	.045	.015	.030
6 thru 10	.030	.055	.020	.040
12 thru 16	.030	.080	.020	.060

TEFLON® is a Du Pont registered trademark