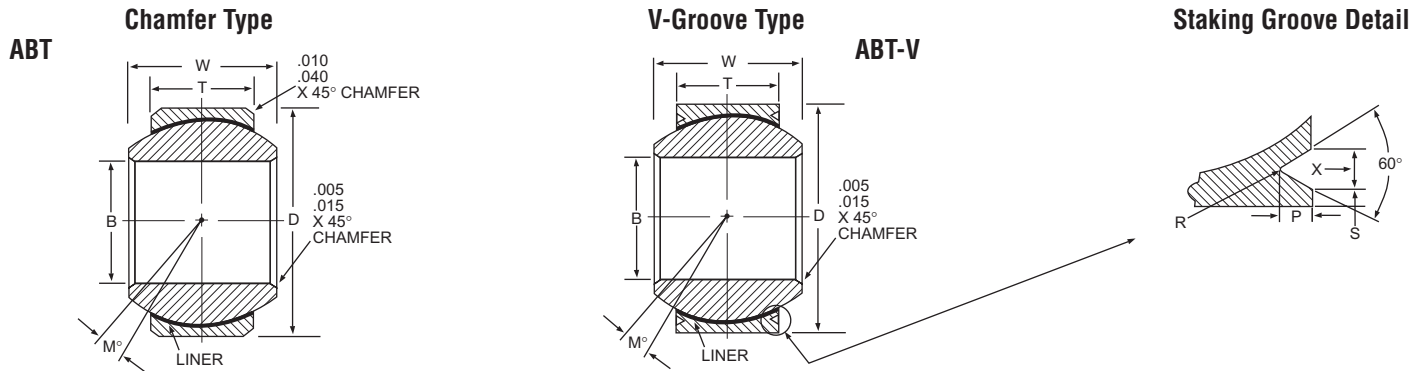




ABT, ABT-V, ATB

TEFLON® Lined, Narrow



BASIC P/N	(B)	(D)	(W)	(T)	(M°)	ULT. STATIC RADIAL LOAD LBS.	ULT. STATIC AXIAL LOAD LBS.	NO LOAD ROTATIONAL BREAKAWAY TORQUE IN./LB.	APPROX. WEIGHT LBS.
	BORE DIA. +.0000 -.0005	OUTSIDE DIA. +.0000 .0005	BALL WIDTH +.000 -.002	RACE WIDTH +/- .005	MIS-ALIGN. MIN.				
ABT3 ABT3V	.1900	.5625	.281	.218	10	5,962	225	.25-8	.020
ABT4 ABT4V	.2500	.6562	.343	.250	10	9,060	645	.25-8	.020
ABT5 ABT5V	.3125	.7500	.375	.281	10	13,125	1,050	.25-8	.030
ABT6 ABT6V	.3750	.8125	.406	.312	9	15,810	1,650	.25-8	.040
ABT7 ABT7V	.4375	.9062	.437	.343	8	19,800	2,100	.25-8	.050
ATB8-4001	.5005	.8750	.437*	.375	6	24,230	3,165	1-5	.045
ABT8 ABT8V	.5000	1.0000	.500	.390	8	26,850	3,150	.25-8	.070
ABT9 ABT9V	.5625	1.0937	.562	.437	8	34,800	5,520	.25-8	.090
ABT10 ABT10V	.6250	1.1875	.625	.500	8	45,750	7,080	.25-8	.120
ABT12 ABT12V	.7500	1.4375	.750	.593	8	69,600	10,125	1-5	.210
ABT14 ABT14V	.8750	1.5625	.875	.703	8	93,300	14,025	2-8	.270
ABT16 ABT16V	1.0000	1.7500	1.000	.797	9	120,300	18,240	2-8	.390

*Ball width tolerance +.000 -.005

Materials

DESIGNATION	BALL	LINER	RACE
ABT	440C CRES	TEFLON® fabric	17-4PH CRES
ABT-V	heat treated	permanently bonded	heat treated
ATB		to race I.D.	

Staking Groove Data

BORE SIZES	LAND (S) +.000/- .010	GROOVE (X) +.000/- .010	RAD.(R) +.000/- .010	DEPTH (P) +.000/- .015
3 & 4	.020	.045	.015	.030
5 thru 7	.030	.055	.020	.040
8 thru 16	.030	.080	.020	.060

TEFLON® is a Du Pont registered trademark