



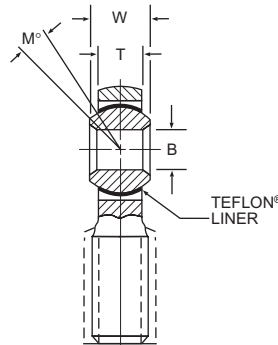
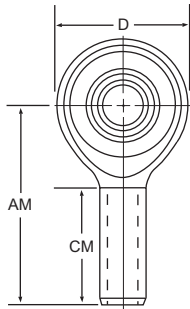
ARHT-ECR, ARHT-CR

**3-piece, TEFLON® Lined, Heavy Duty
Male and Female Threads**

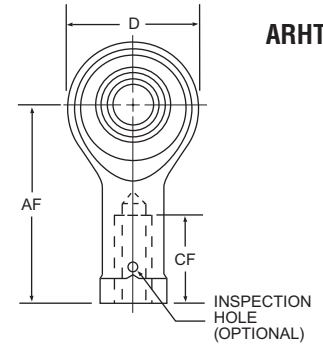
Note:

For left hand threads, add "L" to prefix.
Example: ARHTL4ECR

ARHT-ECR



ARHT-CR



BASIC P/N	BORE X THD. SIZE REF.	# OF THDS.	(B)	(D)	(W)	(T)	(AM)	(AF)	(CM)	(CF)	(M°)	ULT. STATIC RADIAL LOAD LBS.	NO LOAD ROTATIONAL BREAKAWAY TORQUE IN./LBS.	APPROX. WEIGHT LBS.
			DIA. +.0000 -.0005	HEAD DIA. +/- .010	BALL WIDTH +.000 -.002	BODY WIDTH +/- .005	LGTH. C/L TO END +/- .010	LGTH. C/L TO END +/- .010	THREAD LGTH. +/- .031	THREAD LGTH. MIN.	MIS-ALIGN. REF.			
ARHT4ECR ARHT4CR	1/4 x 5/16	24	.2500	.806	.375	.337	1.562	1.469	.968	.750	5	7,100	.5-6	.067 .084
ARHT5ECR ARHT5CR	5/16 x 3/8	24	.3125	.900	.437	.327	1.875	1.625	1.187	.875	14	8,600	1-10	.095 .102
ARHT6ECR ARHT6CR	3/8 x 7/16	20	.3750	1.025	.500	.416	1.938	1.812	1.187	1.000	9	10,100	1-10	.140 .160
ARHT7ECR ARHT7CR	7/16 x 1/2	20	.4375	1.150	.562	.452	2.125	2.000	1.281	1.125	10	11,000	1-10	.210 .230
ARHT8ECR ARHT8CR	1/2 x 5/8	18	.5000	1.337	.625	.515	2.438	2.250	1.468	1.250	9	21,800	1-10	.330 .340
ARHT10ECR ARHT10CR	5/8 x 3/4	16	.6250	1.525	.750	.577	2.625	2.500	1.562	1.375	12	24,300	1-10	.480 .490
ARHT12ECR ARHT12CR	3/4 x 7/8	14	.7500	1.775	.875	.640	2.875	2.875	1.687	1.625	13	32,200	1-10	.730 .740

Materials

DESIGNATION	BALL	LINER	RACE/BODY
ARHT-ECR ARHT-CR	440C CRES heat treated	TEFLON® fabric permanently bonded to race I.D.	17-4PH CRES heat treated

TEFLON® is a Du Pont registered trademark