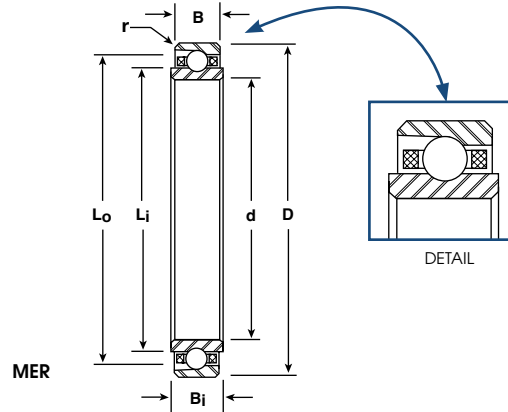




Inch Series

Torque Tube - Angular Contact

Bore Sizes .6250-3.0625 inches



| BASIC P/N | BORE d | | O.D. D | | WIDTH B | | | | LAND DIAMETER (REFERENCE) | | FILLET RADIUS r | BALL COMPLEMENT | | LOAD RATINGS (LBS) | | |
|-----------|--------|--------|--------|--------|----------|-------|---------|-------|---------------------------|-------|-----------------|-----------------|-----------|--------------------|------|------------------------|
| | INCH | mm | INCH | mm | INNER Bi | | OUTER B | | Li | Lo | | NO. | SIZE INCH | RADIAL CAPACITY | | THRUST CAPACITY STATIC |
| | | | | | INCH | mm | INCH | mm | | | DYN. C | | | STATIC Co | | |
| MERI-538 | .6250 | 15.875 | 1.0625 | 26.988 | .2812 | 7.142 | .2500 | 6.350 | .773 | .933 | .015 | 16 | 1/8 | 793 | 506 | 362 |
| MERI-539 | .7500 | 19.050 | 1.1875 | 30.162 | .2812 | 7.142 | .2500 | 6.350 | .894 | 1.054 | .015 | 18 | 1/8 | 845 | 587 | 408 |
| MERI-540 | .8750 | 22.225 | 1.3125 | 33.338 | .2812 | 7.142 | .2500 | 6.350 | 1.019 | 1.179 | .015 | 20 | 1/8 | 894 | 668 | 455 |
| MERI-541 | 1.0625 | 26.988 | 1.5000 | 38.100 | .2812 | 7.142 | .2500 | 6.350 | 1.210 | 1.370 | .015 | 24 | 1/8 | 988 | 822 | 549 |
| MERI-542 | 1.3125 | 33.338 | 1.7500 | 44.450 | .2812 | 7.142 | .2500 | 6.350 | 1.460 | 1.620 | .015 | 28 | 1/8 | 1047 | 983 | 640 |
| MERI-543 | 1.5625 | 39.688 | 2.0000 | 50.800 | .2812 | 7.142 | .2500 | 6.350 | 1.706 | 1.866 | .015 | 34 | 1/8 | 1147 | 1215 | 779 |
| MERI-544 | 1.8125 | 46.038 | 2.2500 | 57.150 | .2812 | 7.142 | .2500 | 6.350 | 1.960 | 2.120 | .015 | 38 | 1/8 | 1196 | 1375 | 872 |
| MERI-545 | 2.0625 | 52.388 | 2.6250 | 66.675 | .2812 | 7.142 | .2500 | 6.350 | 2.263 | 2.423 | .015 | 44 | 1/8 | 1272 | 1612 | 1011 |
| MERI-546 | 2.3125 | 58.738 | 2.8750 | 73.025 | .2812 | 7.142 | .2500 | 6.350 | 2.513 | 2.674 | .015 | 48 | 1/8 | 1314 | 1772 | 1117 |
| MERI-547 | 2.5625 | 65.088 | 3.2500 | 82.550 | .3750 | 9.525 | .3120 | 7.925 | 2.793 | 3.019 | .015 | 36 | 3/16 | 2428 | 2926 | 2462 |
| MERI-548 | 2.8125 | 71.438 | 3.5000 | 88.900 | .3750 | 9.525 | .3120 | 7.925 | 3.043 | 3.269 | .015 | 39 | 3/16 | 2508 | 3194 | 2533 |
| MERI-549 | 3.0625 | 77.788 | 3.8750 | 98.425 | .3750 | 9.525 | .3120 | 7.925 | 3.356 | 3.582 | .015 | 42 | 3/16 | 2573 | 3467 | 2666 |

Notes:

- Torque tube angular contact ball bearings are typically manufactured from 440C stainless steel.
- Load ratings shown are for 52100 chrome steel.
- Part numbers listed are with outer ring relieved configuration. Other design options are available.
- The standard retainer is a one-piece phenolic. Please check with NHBB for availability of other retainer options.
- Standard tolerances are ABEC 5T per ABMA Standard 12. ABEC 7T tolerances are also available.
- Fillet Radius (r) is the maximum shaft or housing fillet radius that bearing corners will clear.