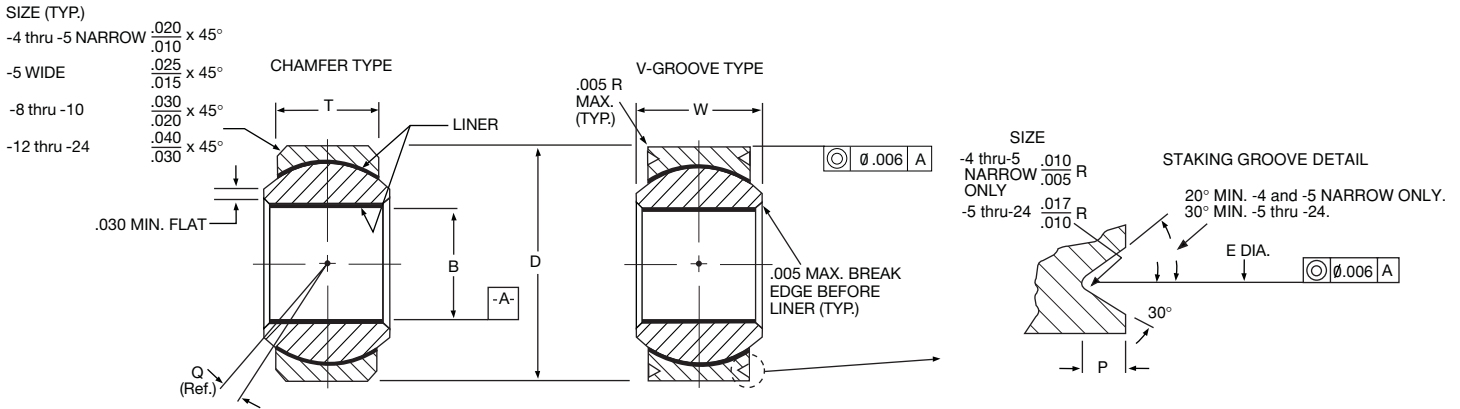


SPHERICAL BEARINGS – Self-Lubricating

AS81820 Lined Bore Series – Narrow



Part Number	MS Dash No.	(B) Bore Diameter	(D) Outside Diameter	(W) Ball Width	(T) Race Width	Ball Diameter	(E) Pitch Diameter	(P) Groove Depth	(Q) Mis-alignment	Limit Static Radial Load	Limit Static Axial Load	Dynamic Osc. Radial Load	Weight
V-Grooved*		Inch	Inch	Inch	Inch	Inch	Inch	Inch	Degree	lbs.	lbs.	lbs.	lbs.
M81820/1		+ .0000	+ .0000	+ .000	± .005	Ref.	+ .000	+ .000	Ref.				Ref.
M81820/4		- .0010	- .0005	- .002			- .008	- .010					
ADBL4V(L)	-4	.2510	.6562	.343	.250	.500	.594	.025	10°	5550	430	2650	.020
ADBL5V(L)	-5	.3135	.7500	.375	.281	.562	.660	.035	10°	7700	700	3700	.030
ADBL6V(L)	-6	.3760	.8125	.406	.312	.656	.712	.035	9°	10200	1100	4900	.040
ADBL7V(L)	-7	.4385	.9062	.437	.343	.718	.806	.035	8°	12950	1400	6700	.050
ADBL8V(L)	-8	.5010	1.0000	.500	.390	.813	.876	.055	8°	17250	2100	8250	.070
ADBL9V(L)	-9	.5635	1.0937	.562	.437	.875	.970	.055	8°	22150	3680	10600	.090
ADBL10V(L)	-10	.6260	1.1875	.625	.500	.968	1.063	.055	8°	27700	4720	13250	.120
ADBL12V(L)	-12	.7510	1.4375	.750	.593	1.187	1.313	.055	8°	40600	6750	19400	.210
ADBL14V(L)	-14	.8760	1.5625	.875	.703	1.312	1.438	.055	8°	55950	9350	26750	.270
ADBL16V(L)	-16	1.0010	1.7500	1.000	.797	1.500	1.626	.055	9°	73800	12160	35250	.390
ADBL18V(L)	-	1.1260	2.1250	1.125	.900	1.750	2.001	.055	8°	94080	13500	37870	.720
ADBL20V(L)	-	1.2510	2.3125	1.250	1.000	1.937	2.188	.055	8°	116250	16930	46920	.930
ADBL22V(L)	-	1.3760	2.5625	1.375	1.100	2.156	2.438	.055	8°	140770	20750	56950	1.280
ADBL24V(L)	-	1.5010	2.8125	1.500	1.200	2.344	2.688	.055	8°	167630	24950	67950	1.670

*For chamfered version, delete 'V' from part number.

Notes:

- All dimensions, materials and configurations of sizes 4 through 16 conform to requirements of Aerospace Standards. Consult QPL for NHBB approvals to P/N series AS81820/1 through AS81820/4.
- Bearing sizes 18 thru 24 are not included in current Aerospace Standards but are offered as NHBB catalog items only.
- Temperature: Operating temperature range per AS81820 is -65° to 325°F. Broader temperature capabilities are achievable.

Materials

Part No.	Ball	Race	Liner
Catalog No.	CRES PH13-8Mo AMS 5629 Cond. H-1000 (Rc43 min.)	CRES 17-4PH AMS 5643 Rc28-37	TEFLON®/Fabric Bonded to Race I.D. & Ball Bore No Lub. Required

TEFLON® is a Du Pont registered trademark