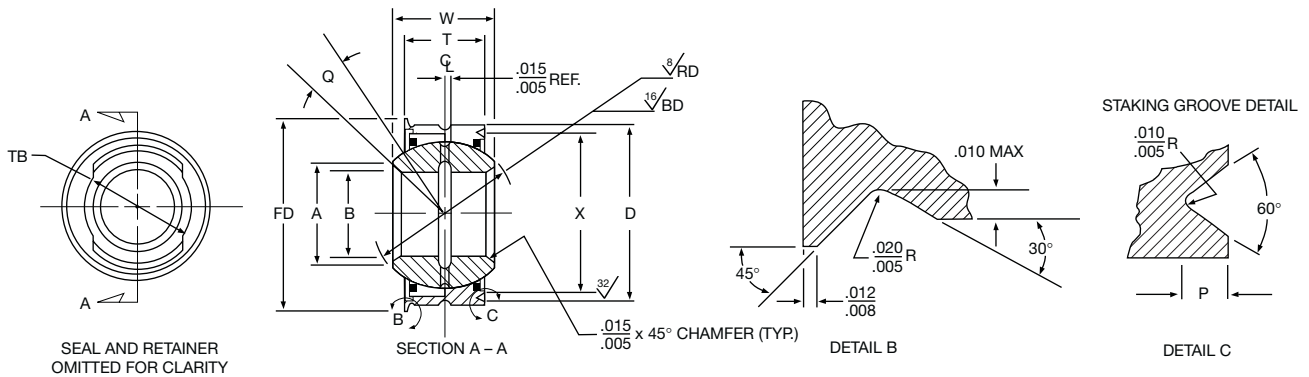




# Sealed



Part Number	(B) Bore Diameter	(D) Outside Diameter	(W) Ball Width	(T) Race Width	(BD) Ball Spherical Diameter	(RD) Race Spherical Diameter	(A) Ball Flat Diameter	(TB) Thru Bore	(Q) Mis-alignment	(FD) Flange Diameter	(P) V-Groove Depth	(X) V-Groove Centerline	Radial Static Limit Load <sup>∠</sup>	Axial Static Limit Load <sup>∠</sup>	Weight
	Inch	Inch	Inch	Inch	Inch	Inch	Inch	Inch	Ref.	Inch	Inch	Inch	lbs.	lbs.	lbs.
	+0.000	+0.000	+0.000	+0.002	+0.0000	+0.0005	+0.003			+0.002	+0.004	+0.003			Ref.
	-0.0005	-0.0005	-0.002	-0.002	-0.0003	-0.0000	-0.003			-0.002	-0.004	-0.003			
AMBG4	.2500	.7500	.375	.280	.5625	.5635	.419	.515	11°	.770	.026	.682	3650	1320	.04
AMBG5	.3125	.8125	.375	.300	.6250	.6260	.500	.574	7° 30'	.852	.036	.714	8370	1630	.04
AMBG6	.3750	.8750	.406	.312	.6865	.6875	.554	.635	8°	.915	.036	.777	14200	1750	.05
AMBG7	.4375	.9375	.437	.360	.7500	.7510	.610	.698	6° 30'	.977	.036	.839	19900	1880	.06
AMBG8	.5000	1.0000	.500	.410	.8125	.8135	.640	.740	7°	1.040	.036	.902	22750	2000	.08
AMBG9	.5625	1.1250	.562	.460	.9060	.9070	.710	.814	7° 30'	1.205	.056	1.002	25690	2620	.11
AMBG10	.6250	1.2500	.625	.510	1.0000	1.0010	.780	.900	7° 30'	1.330	.056	1.127	26530	2910	.15
AMBG12	.7500	1.5000	.750	.624	1.1875	1.1885	.920	1.075	7°	1.580	.056	1.377	33640	3500	.25
AMBG14	.8750	1.7500	.875	.730	1.3750	1.3760	1.060	1.238	7°	1.830	.056	1.627	39140	4080	.40
AMBG16	1.0000	1.8750	1.000	.812	1.5625	1.5635	1.200	1.410	8°	1.955	.056	1.752	45790	4370	.49
AMBG18	1.1250	2.1250	1.125	.936	1.7500*	1.7510	1.340	1.556	7° 30'	2.205	.056	2.002	50420	7960	.73
AMBG20	1.2500	2.3125	1.250	1.030	1.9375*	1.9385	1.480	1.720	8°	2.392	.056	2.189	56870	8670	.94
AMBG22	1.3750	2.5625	1.375	1.124	2.1250*	2.1260	1.620	1.885	7° 30'	2.642	.056	2.439	62560	9610	1.27
	+0.010	+0.000	+0.000		+0.0000	+0.0006									
	-0.0000	-0.0008	-0.003		-0.0005	-0.0000									
AMBG24	1.5000	2.8125	1.500	1.250	2.3125*	2.3135	1.760	2.030	7° 30'	2.892	.056	2.689	67280	10540	1.70
AMBG26	1.6250	3.0000	1.625	1.350	2.5000*	2.5010	1.900	2.190	7° 30'	3.080	.056	2.877	73060	11250	2.07
AMBG28	1.7500	3.1875	1.750	1.450	2.6875	2.6885	2.040	2.350	8°	3.267	.056	3.064	78840	11950	2.49
AMBG30	1.8750	3.3750	1.875	1.560	2.8750	2.8760	2.180	2.505	7° 30'	3.455	.056	3.252	84150	12650	2.96
AMBG32	2.0000	3.6250	2.000	1.680	3.1250	3.1260	2.401	2.725	7°	3.705	.056	3.502	88980	13590	3.72

\* Ball spherical diameter tolerance +.0000/-0.0004.

∠ Static limit loads are calculated approximate values, based on the following: Radial - .0018 inch pin deflection. Axial - bearing push-out (of housing).

## Notes:

- Nitride or Malcomize spherical race ID.
- Balls rotate freely under finger pressure @ 72°F.
- Balls are fully interchangeable. No selective assembly allowed.
- Operating temperature range -65°F to 350°F.

## Materials (AMBG)

Part Number	Ball	Race	Seal	Retainer	Pellet/Patch
Catalog No. + D	BeCu ASTM B196 Rc36 min.	17-4PH AMS 5643 Rc34-40	TEFLON®	17-4PH AMS 5643 Rc40-44	Nylon
Catalog No. + C	Stellite® #6 AMS 5387 Rc37 min.	"	"	"	"

TEFLON® is a Du Pont registered trademark  
STELLITE® is a registered trademark of DELORO STELLITE COMPANY, INC.

## NHBB Part Numbering

