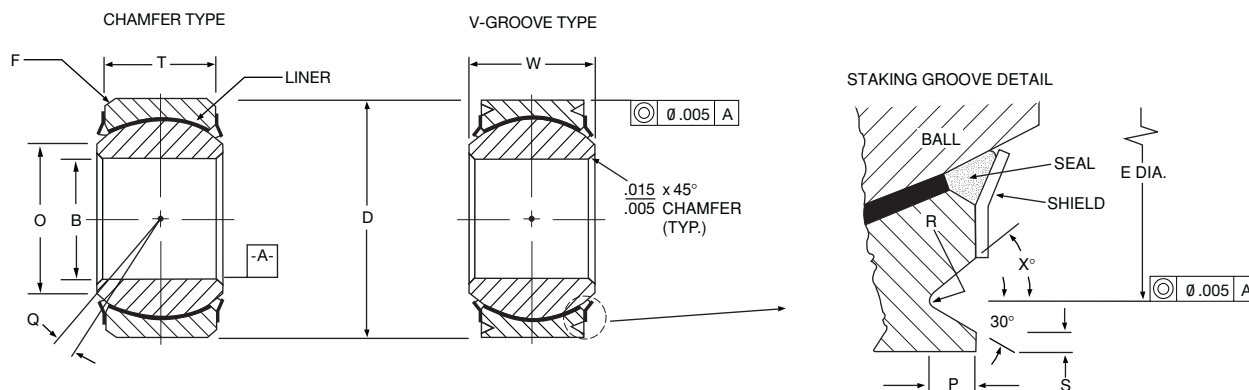




Sealed Wide



Part Number	(B) Bore	(D) Outside	(W) Ball	(T) Race	(O) Shoulder	Ball	(F) Race Chamfered x 45°	(Q) Mis-	(E) Pitch Diam.	(P)	(R)	(X)	No Load Rotational Breakaway Torque	Limit Static	Limit Static	Dynamic Osc.	
	Inch	Inch	Inch	Inch	Inch	Inch	Inch	Min.	Inch	Inch	Inch		Inch - lbs.	lbs.	lbs.	lbs.	lbs.
	+ .0000 - .0005	+ .0000 - .0005	+ .000 - .002	± .005	Min.	Ref.	+ .000 - .010		+ .000 - .010	+ .000 - .015							Ref.
ADW3VN(L)	.1900	.6250	.437	.327	.300	.531	.025	7.5°	.565	.030	.005-.015	20° min.	.25-8.0	2500	1770	4900	.031
ADW4VN(L)	.2500	.6250	.437	.327	.300	.531	.025	7.5°	.565	.030	.005-.015	20° min.	.25-8.0	5500	1770	4900	.031
ADW5VN(L)	.3125	.6875	.437	.317	.360	.593	.025	7°	.627	.030	.005-.015	30°	1.0-20.0	9400	1640	6050	.035
ADW6VN(L)	.3750	.8125	.500	.406	.466	.687	.030	4°	.714	.040	.010-.020	30°	1.0-20.0	13700	2630	8310	.060
ADW7VN(L)	.4375	.9375	.562	.442	.537	.781	.030	5°	.839	.040	.010-.020	30°	1.0-20.0	20700	3650	11750	.080
ADW7V52N(L)	.4375	.9062	.562	.442	.537	.781	—	5°	.808	.040	.010-.020	30°	1.0-20.0	19700	3650	11750	.080
ADW8VN(L)	.5000	1.0000	.625	.505	.607	.875	.030	4.5°	.902	.040	.010-.020	30°	1.0-20.0	21400	4970	14950	.100
ADW9VN(L)	.5625	1.1250	.687	.536	.721	1.000	.030	5°	1.027	.040	.010-.020	30°	1.0-20.0	26600	5370	18100	.135
ADW10VN(L)	.6250	1.1875	.750	.567	.747	1.062	.030	6°	1.089	.040	.010-.020	30°	1.0-20.0	29000	6130	20250	.160
ADW12VN(L)	.7500	1.3750	.875	.630	.845	1.250	.040	7.5°	1.253	.060	.010-.020	30°	1.0-20.0	37000	7730	26200	.240
ADW14VN(L)	.8750	1.6250	.875	.755	.995	1.375	.040	3°	1.503	.060	.010-.020	30°	1.0-30.0	65200	10800	33600	.350
ADW16VN(L)	1.0000	2.1250	1.375	1.005	1.269	1.875	.040	6°	2.003	.060	.010-.020	30°	1.0-30.0	104000	19300	56250	.970
ADW18VN(L)	1.1250	2.2500	1.437	1.067	1.338	1.968	.040	7°	2.128	.060	.010-.020	30°	1.0-30.0	142570	19640	57000	1.000
ADW20VN(L)	1.2500	2.3750	1.500	1.130	1.460	2.093	.040	6.5°	2.253	.060	.010-.020	30°	1.0-30.0	159200	21970	63680	1.120
ADW20-5VN(L)	1.2500	2.0000	1.093	.942	1.406	1.781	.040	3°	1.878	.060	.010-.020	30°	1.0-30.0	112360	14890	44940	.564
ADW22VN(L)	1.3750	2.5625	1.687	1.223	1.535	2.281	.040	7.5°	2.440	.060	.010-.020	30°	1.0-30.0	190000	25970	76000	1.390
ADW24VN(L)	1.5000	2.6875	1.687	1.223	1.693	2.390	.040	7°	2.567	.060	.010-.020	30°	1.0-30.0	199000	25970	79640	1.480

*For chamfered version, delete 'V' from part number.

Notes:

- For more information on sealed bearings, see page 70.
- Temperature: Operating temperature range -65° to 325°F. Broader temperature capabilities are achievable.
- Options: Bearings with PH13-8Mo balls will be designated by "13-8" suffix (Example: ADB16VN13-8(L)). For outside race diameter with cadmium plate per AMS-QQ-P-416, Type II, Class 2, add suffix "P" (Example: ADW16VNP(L)).
- Qualification: Liner approved to AS81820.

Materials

Part No.	Ball	Race	Liner
Catalog No.	CRES 440C AMS 5630 Rc55-62	CRES 17-4PH AMS 5643 Rc28-37	TEFLON®/Fabric Bonded to Race I.D. No Lub. Required
Catalog No. + 13-8	CRES PH13-8Mo AMS 5629 Rc43-47	CRES 17-4PH AMS 5643 Rc28-37	TEFLON®/Fabric Bonded to Race I.D. No Lub. Required

TEFLON® is a Du Pont registered trademark