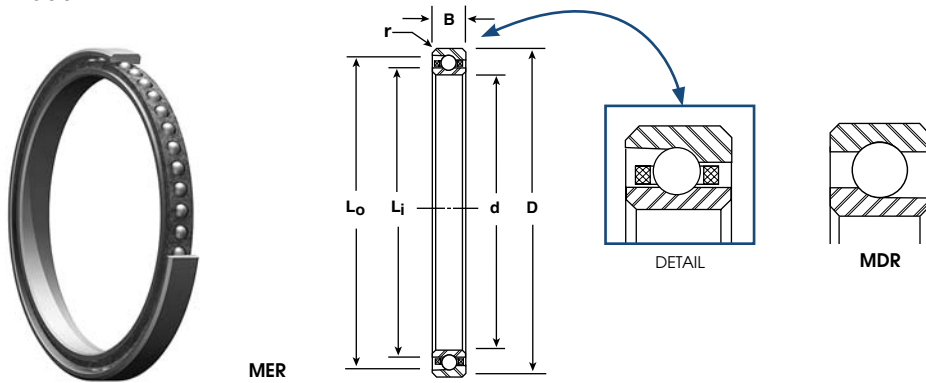


Inch Series
Thin Section - Angular Contact

Bore Sizes .8750-4.2500



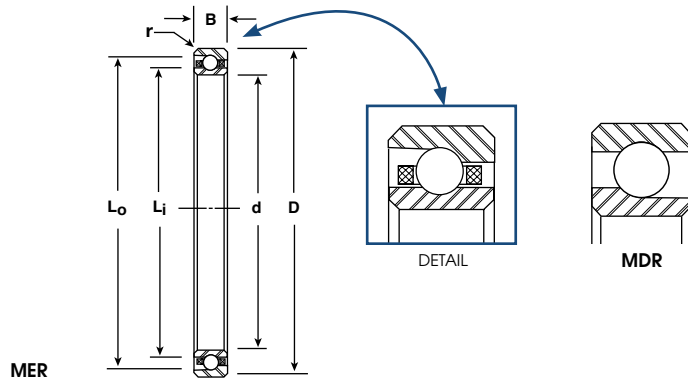
REF.	BASIC P/N	BORE d	O.D. D	WIDTH B	LAND DIAMETER (REFERENCE)		FILLET RADIUS r	BALL COMPLEMENT		LOAD RATINGS (LBS)		
					Li	Lo		NO.	SIZE INCH	RADIAL CAPACITY		THRUST CAPACITY
					INCH	INCH				DYN. C	STATIC Co	STATIC
1/8	MERI-1878	.8750	1.1250	.1562●	.961	1.049	.010	32	1/16	208	179	325
1/8	MERI-2117	1.0625	1.3125	.1562●	1.144	1.231	.010	38	1/16	223	216	363
1/8	MERI-2420	1.2500	1.5000	.1562●	1.320	1.402	.010	44	1/16	237	253	425
1/8	MERI-2622	1.3750	1.6250	.1562●	1.457	1.543	.010	49	1/16	249	283	476
1/8	MERI-2824	1.5000	1.7500	.1562●	1.584	1.666	.010	53	1/16	257	308	517
1/8	MERI-3026	1.6250	1.8750	.1562●	1.709	1.793	.010	57	1/16	265	332	557
1/4	MERI-4032	2.0000	2.5000	.2500	2.325	2.174	.025	36	1/8	1124	1315	1141
5/16	MERI-4232	2.0000	2.6250	.3125	2.375	2.406	.040	31	5/32	1307	1359	2992
1/4	MERI-4840	2.5000	3.0000	.2500	2.674	2.825	.025	44	1/8	1222	1631	1313
5/16	MERI-5040	2.5000	3.1250	.3125	2.731	2.893	.040	38	5/32	1425	1696	3735
1/4	MERI-5648	3.0000	3.5000	.2500	3.174	3.326	.025	52	1/8	1309	1947	1496
5/16	MERI-5848	3.0000	3.6250	.3125	3.234	3.391	.040	44	5/32	1394	1806	3470
3/8	MERI-6048	3.0000	3.7500	.3750	3.281	3.469	.040	37	3/16	1812	2183	4158
1/4	MERI-6052	3.2500	3.7500	.2500	3.437	3.567	.025	56	1/8	1039	1529	3128
5/16	MERI-6252	3.2500	3.8750	.3125	3.484	3.641	.040	47	5/32	1450	1980	3725
3/8	MERI-6452	3.2500	4.0000	.3750	3.535	3.723	.040	40	3/16	1875	2374	4522
1/4	MERI-6456	3.5000	4.0000	.2500	3.688	3.811	.025	60	1/8	1069	1644	3364
5/16	MERI-6656	3.5000	4.1250	.3125	3.730	3.894	.040	51	5/32	1484	2113	4173
3/8	MERI-6856	3.5000	4.2500	.3750	3.718	3.907	.040	43	3/16	1935	2564	5006
1/4	MERI-6860	3.7500	4.2500	.2500	3.937	4.063	.025	64	1/8	1098	1758	3713
5/16	MERI-7060	3.7500	4.3750	.3125	3.984	4.141	.040	54	5/32	1518	2246	4435
3/8	MERI-7260	3.7500	4.5000	.3750	4.031	4.219	.040	46	3/16	1992	2755	5380
1/4	MERI-7264	4.0000	4.5000	.2500	4.187	4.313	.025	68	1/8	1126	1873	3956
5/16	MERI-7464	4.0000	4.6250	.3125	4.234	4.391	.040	58	5/32	1568	2420	4779
3/8	MERI-7664	4.0000	4.7500	.3750	4.281	4.469	.040	49	3/16	2047	2946	5753
1/2	MERI-8064	4.0000	5.0000	.5000	4.375	4.625	.060	36	1/4	2973	3754	7014
1/4	MERI-7668	4.2500	4.7500	.2500	4.437	4.563	.025	72	1/8	1153	1988	4198
5/16	MERI-7868	4.2500	4.8750	.3125	4.484	4.641	.040	61	5/32	1599	2552	5041
3/8	MERI-8068	4.2500	5.0000	.3750	4.531	4.719	.040	52	3/16	2110	3137	6127
1/2	MERI-8468	4.2500	5.2500	.5000	4.625	4.875	.060	38	1/4	3040	3980	7579

Notes:

- Angular contact thin section ball bearings are typically manufactured from 440C stainless steel.
 - Load ratings shown are for 52100 chrome steel.
 - NHBB typically manufactures thin section bearings to ABEC 5T and 7T tolerances per AMBA Standard 12 (bore diameters up to 1.6250 inches) and ABEC 5F and 7F tolerances per ABMA standard 26 (bore diameters above 1.6250 inches).
 - Part numbers listed are with outer ring relieved configuration. Other design options are available.
 - Fillet Radius (r) is the maximum shaft or housing fillet radius that bearing corners will clear.
- Open width shown; shielded width is .1960 inches.



Inch Series
Thin Section – Angular Contact
 Bore Sizes 4.5000-10.0000 inches



REF.	BASIC P/N	BORE d INCH	O.D. D INCH	WIDTH B INCH	LAND DIAMETER (REFERENCE)		FILLET RADIUS r INCH	BALL COMPLEMENT		LOAD RATINGS (LBS)		
					Li INCH	L0 INCH		NO.	SIZE INCH	RADIAL CAPACITY		THRUST CAPACITY
					DYN. C	STATIC C0				STATIC		
1/4	MERI-8072	4.5000	5.0000	.2500	4.687	4.813	.025	75	1/8	1169	2075	4382
5/16	MERI-8272	4.5000	5.1250	.3125	4.734	4.891	.040	64	5/32	1629	2685	5186
3/8	MERI-8472	4.5000	5.2500	.3750	4.781	4.969	.040	55	3/16	2152	3328	7738
1/2	MERI-8872	4.5000	5.5000	.5000	4.875	5.125	.060	40	1/4	3106	4206	8010
1/4	MERI-8476	4.7500	5.2500	.2500	4.937	5.063	.025	80	1/8	1205	2218	4822
5/16	MERI-8676	4.7500	5.3750	.3125	4.984	5.141	.040	68	5/32	1674	2859	5453
3/8	MERI-8876	4.7500	5.5000	.3750	5.031	5.219	.040	58	3/16	2193	3503	7032
1/2	MERI-9276	4.7500	5.7500	.5000	5.125	5.375	.060	42	1/4	3169	4432	8441
1/4	MERI-8880	5.0000	5.5000	.2500	5.197	5.319	.025	84	1/8	1230	2333	5071
5/16	MERI-9080	5.0000	5.6250	.3125	5.234	5.391	.040	71	5/32	1703	2992	6063
3/8	MERI-9280	5.0000	5.7500	.3750	5.281	5.469	.040	61	3/16	2250	3711	7415
1/2	MERI-9680	5.0000	6.0000	.5000	5.375	5.625	.060	44	1/4	3231	4658	8873
5/16	MERI-9888	5.5000	6.1250	.3125	5.734	5.891	.040	78	5/32	1777	3311	6658
3/8	MERI-10088	5.5000	6.2500	.3750	5.781	5.969	.040	66	3/16	2318	4032	8058
1/2	MERI-10488	5.5000	6.5000	.5000	5.875	6.125	.060	48	1/4	3350	5110	9736
5/16	MERI-10696	6.0000	6.6250	.3125	6.234	6.391	.040	85	5/32	1844	3619	7307
3/8	MERI-10896	6.0000	6.7500	.3750	6.281	6.469	.040	72	3/16	2407	4415	8222
1/2	MERI-11296	6.0000	7.0000	.5000	6.375	6.625	.060	52	1/4	3463	5562	10599
5/16	MERI-114104	6.5000	7.1250	.3125	6.734	6.891	.040	91	5/32	1893	3885	7843
3/8	MERI-116104	6.5000	7.2500	.3750	6.781	6.969	.040	78	3/16	2491	4798	9588
1/2	MERI-120104	6.5000	7.5000	.5000	6.875	7.125	.060	56	1/4	3571	6014	11462
3/8	MERI-124112	7.0000	7.7500	.3750	7.281	7.469	.040	83	3/16	2551	5119	10230
1/2	MERI-128112	7.0000	8.0000	.5000	7.375	7.625	.060	60	1/4	3675	6466	12325
3/8	MERI-132120	7.5000	8.2500	.3750	7.781	7.969	.040	89	3/16	2650	5496	10996
1/2	MERI-136120	7.5000	8.5000	.5000	7.875	8.125	.060	64	1/4	3775	6918	13188
3/8	MERI-140128	8.0000	8.7500	.3750	8.281	8.469	.040	95	3/16	2703	5885	11761
1/2	MERI-144128	8.0000	9.0000	.5000	8.375	8.625	.060	68	1/4	3871	7371	14052
1/2	MERI-152136	8.5000	9.5000	.5000	8.875	9.125	.060	72	1/4	3964	7823	14915
1/2	MERI-160144	9.0000	10.0000	.5000	9.375	9.469	.060	76	1/4	4054	8275	15778
1/2	MERI-168152	9.5000	10.5000	.5000	9.875	10.125	.060	80	1/4	4141	8727	16641
1/2	MERI-176160	10.0000	11.0000	.5000	10.375	10.625	.060	84	1/4	4226	9179	17505

Notes:

- Angular contact thin section ball bearings are typically manufactured from 440C stainless steel.
- Load ratings shown are for 52100 chrome steel.
- NHBB typically manufactures thin section bearings to ABEC 5T and 7T tolerances per ABMA Standard 12 (bore diameters up to 1.6250 inches) and ABEC 5F and 7F tolerances per ABMA standard 26 (bore diameters above 1.6250 inches).
- Part numbers listed are with outer ring relieved configuration. Other design options are available.
- Fillet Radius (r) is the maximum shaft or housing fillet radius that bearing corners will clear.