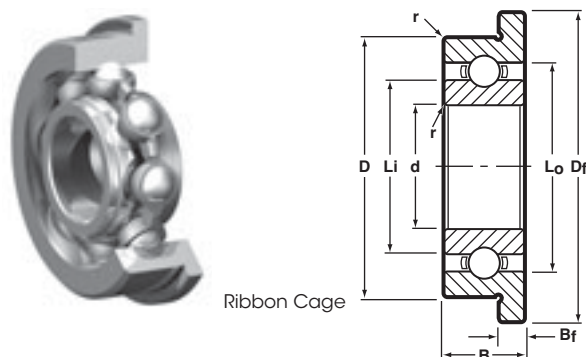
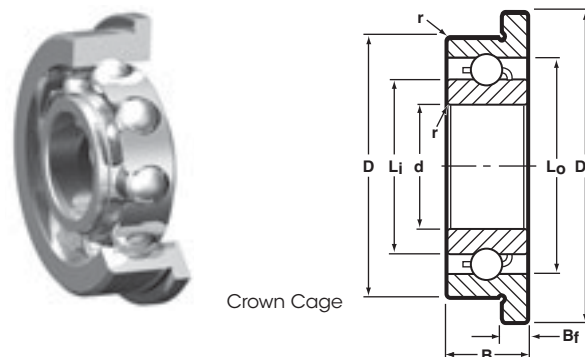


Radial, Open, Flanged



Ribbon Cage



Crown Cage

BASIC P/N	CAGE TYPE *		BORE d		O.D. D		WIDTH B		FLANGE DIA. D <sub>f</sub>	FLANGE WIDTH B <sub>f</sub>	LAND DIAMETER (REFERENCE)		FILLET RADIUS r	BALL COMPLEMENT		LOAD RATINGS** LB.		BRG. WT. GMS. ▼
	REBBIION	CROWN	INCH	(mm) ◊	INCH	(mm) ◊	INCH	(mm) ◊			L <sub>i</sub>	L <sub>o</sub>		NO. Z	SIZE D <sub>b</sub>	DYN. C	STATIC C <sub>0</sub>	
SSRIF-2		H	.0400	1.016	.1250	3.175	.0469	1.191	.171	.013	.064	.100	.003	5	.025	9	3	.06
SSRIF-2 1/2		H	.0469	1.191	.1562	3.967	.0625	1.588	.203	.013	.081	.124	.003	6	1/32	16	5	.19
SSRIF-3		H	.0550	1.397	.1875	4.763	.0781	1.984	.234	.023	.093	.159	.003	5	3/64	28	10	.25
SSRIF-4		H	.0781	1.984	.2500	6.350	.0937	2.380	.296	.023	.122	.193	.003	6	3/64	35	12	.60
SSRIF-3332		H	.0937	2.380	.1875	4.763	.0625	1.588	.234	.018	.118	.161	.003	7	1/32	19	6	.14
SSRIF-3332	R		.0937	2.380	.1875	4.763	.0625	1.588	.234	.018	.118	.161	.003	8	1/32	21	8	.14
SSRIF-5	R	H	.0937	2.380	.3125	7.938	.1094	2.779	.359	.023	.173	.270	.003	6	1/16	60	22	.90
SSRIF-418		H	.1250	3.175	.2500	6.350	.0937	2.380	.296	.023	.161	.216	.003	7	.0394	30	11	.40
SSRIF-418	R		.1250	3.175	.2500	6.350	.0937	2.380	.296	.023	.161	.216	.003	8	.0394	33	12	.40
SSRIF-518	R	H	.1250	3.175	.3125	7.938	.1094	2.779	.359	.023	.173	.270	.003	6	1/16	60	22	.75
SSRIF-618	R	H	.1250	3.175	.3750	9.525	.1094	2.779	.422	.023	.173	.270	.005	6	1/16	60	22	1.40
SSRF-2	R	H	.1250	3.175	.3750	9.525	.1562	3.967	.440	.030	.200	.300	.012	7	1/16	66	26	1.40
SSRIF-5532		H	.1562	3.967	.3125	7.938	.1094	2.779	.359	.023	.221	.279	.003	7	3/64	41	15	.75
SSRIF-5532	R		.1562	3.967	.3125	7.938	.1094	2.779	.359	.023	.221	.279	.003	8	3/64	45	17	.75
SSRIF-5632		H	.1875	4.763	.3125	7.938	.1094	2.779	.359	.023	.221	.279	.003	7	3/64	41	15	.60
SSRIF-5632	R		.1875	4.763	.3125	7.938	.1094	2.779	.359	.023	.221	.279	.003	8	3/64	45	17	.60
SSRIF-6632	R	H	.1875	4.763	.3750	9.525	.1250	3.175	.422	.023	.235	.325	.003	8	1/16	76	31	.95
SSRF-3	R	H	.1875	4.763	.5000	12.700	.1562	3.967	.565	.042	.276	.413	.012	7	3/32	140	59	2.90
SSRIF-614		H	.2500	6.350	.3750	9.525	.1250	3.175	.422	.023	.285	.341	.003	13	.0394	43	21	.75
SSRIF-814	R	H	.2500	6.350	.5000	12.700	.1250	3.175	.547	.023	.330	.431	.005	10	1/16	88	40	2.20
SSRF-4	R	H	.2500	6.350	.6250	15.875	.1960	4.978	.690	.042	.364	.510	.012	8	3/32	159	70	4.60
SSRIF-8516	R		.3125	7.938	.5000	12.700	.1562	3.967	.547	.031	.362	.450	.005	11	1/16	93	43	1.80
SSRIF-1438	R		.3750	9.525	.8750	22.225	.2812	7.142	.969	.062	.521	.741	.016	7	5/32	569	273	12.00
SSRIF-1812	R		.5000	12.700	1.1250	28.575	.2500	6.350	1.225	.062	.701	.913	.016	9	5/32	684	344	22.00

Notes:

- Inch to metric conversion—see page 68.
- Basic part numbers shown above include code "SS" for AISI 440C stainless steel. If SAE 52100 chrome alloy steel is desired, delete "SS."
- See page 63 for ABEC tolerances.
- r=Maximum shaft or housing fillet radius that bearing corners will clear.
- Open bearings may or may not have shield grooves (detail not shown in the above drawings). Consult the factory for reference information regarding the shield recess diameter.

- \* "R" Ribbon or "H" Crown cages are available as indicated. Please consult with factory for machined cage availability.
- ◊ Metric dimensions are for reference only.
- \*\* Load ratings are based on ABMA Standard #12.
- ▼ Bearing weights are for reference only.